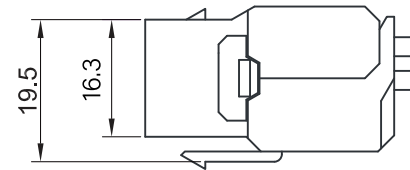
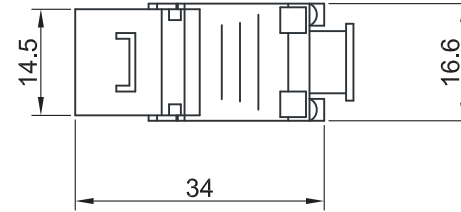
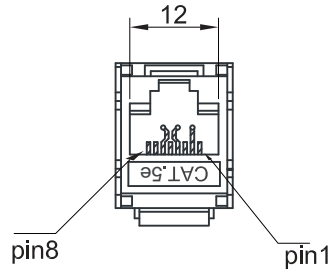
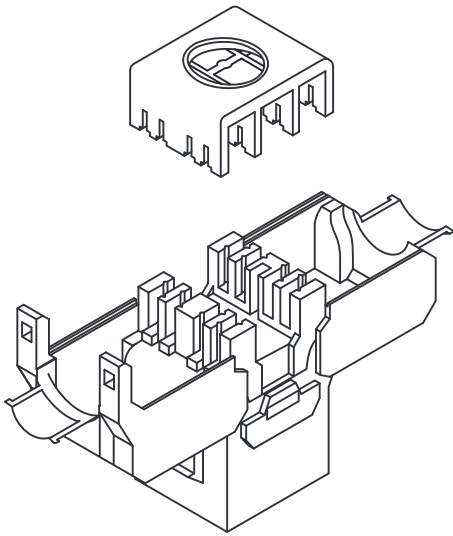


REV	DATE	MODIFICATION	DRAWN



NOTES:

ELECTRICAL:

1. VOLTAGE RATING : 125 VAC RMS
2. CURRENT RATING : 1.5 AMP
3. CONTACT RESISTANCE : 100 MILLIOHMS MAX
4. INSULATION RESISTANCE : 1000 MEGOHMS MIN @ 500 VDC
5. DIELECTRIC STRENGTH : 750 VAC RMS 60Hz,1MIN
6. C5e PERMANENT LINK : CONFORM TO ANSI/TIA/EIA-568 B.2-1

ENVIRONMENTAL:

1. STORAGE : -40° TO +70°
2. OPERATION: -10° TO +60°

MATES WITH MODULAR PLUG CONFORMING TO FCC PART 68, SUBPART F.

MECHANICAL:

- 1.HOUSING MATERIAL : PC PA
- 2.INSERT MATERIAL : ABS
- 3.PCB MATERIAL : FR-4 T=1.0mm
- 4.CONTACT MATERIAL : PHOSPHOR BRONZE STAMP PIN T=0.35mm
- 5.IDC CONTACT MATERIAL: PHOSPHOR BRONZE T=0.50mm WITH TIN PLATING
- 6.RJ45 JACK LIFE : 750 TIMES MIN
- 7.IDC LIFE : 200 TIMES MIN
- 8.WIRE : AWG 22~24
- 9.TIA Cat 5e Perm. Link Test: Worst pair NEXT margin \geq 5.0dB
- 10.Retentiveness of insertion structure: 50N 60 \pm 5s

DIMENSION IN mm (Inch) TOLERANCE UNLESS OTHERWISE SPECIFIED		MATERIAL	DWG NO.	
.X \pm 0.10	.X $^{\circ}$ \pm 5 $^{\circ}$	TITLE		
.XX \pm 0.05	.XX $^{\circ}$ \pm 2 $^{\circ}$	DRAWN		
APPROVAL	CHECKED	SCALE	SHEET	
		1/1	1/1	
		PROJ.	REV	