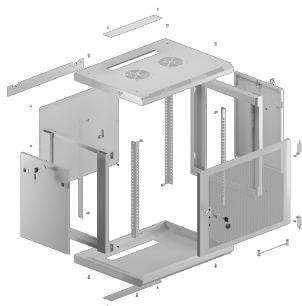


WF01-6409-23S

19" RACK CABIN



PRODUCT FEATURES:

- Designed for self-assembly,
- Cable openings in the top and bottom panels and removable rear panel,
- Equipped with front lock and side locks,
- Optional installation of casters or feet,
- Quick and easy installation.

PRODUCT SPECIFICATION:

Type of cabinet	Wall mount
Size	19",
ICT height	9 U
Assembly type	Self-assembly
Working depth	379,5 mm
Front door type	Perforation
Door type	Single-leaf
Maximum static load	60 kg
Slot amount for fans	2
Number of vertical rails	4
Thermostat	No
LCD panel	No
RAL color	RAL7035
Weatherproof rating	IP20
Upper & lower panel thickness	1,2 mm
Mounting rails thickness	1,5 mm
Frame thickness	1,2 mm
Depth	450 mm
Width	600 mm
Height	512,35 mm
Weight	18 kg
Standard	ANSI/EIA RS-310-D, DIN 41491/PART 1, DIN 41494/PART 7, ETSI, IEC297-2:1982
Grounding Details	Front door, Bottom panel
Included Accessories	User guide, Grounding cable, M6 screws, Mounting bracket, Front lock, Side locks, Set of assembly elements

