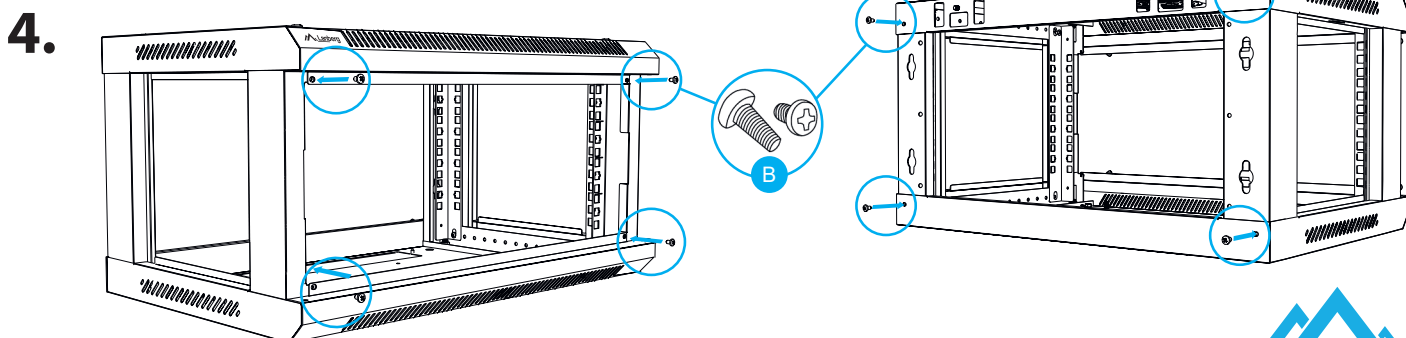
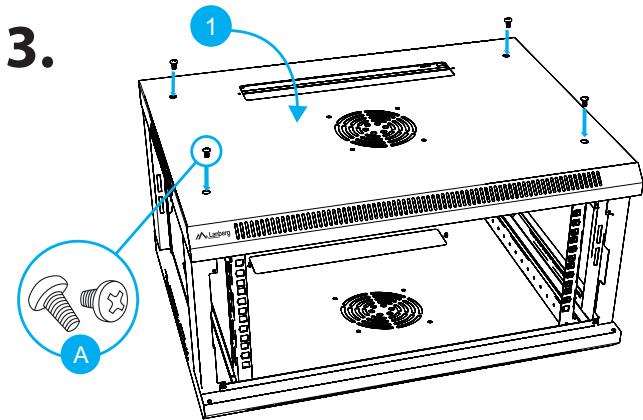
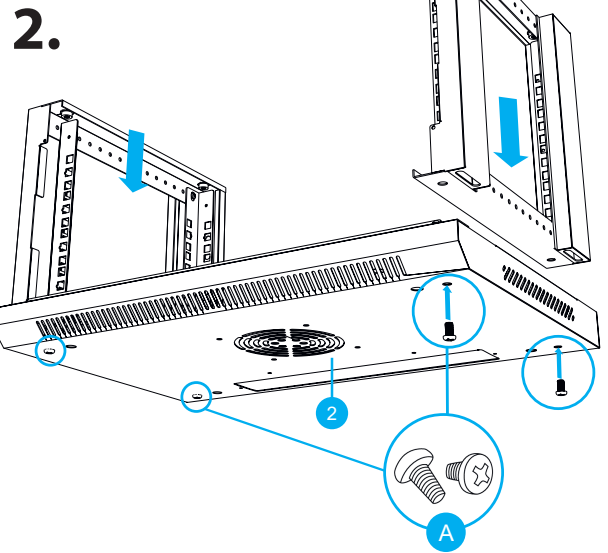
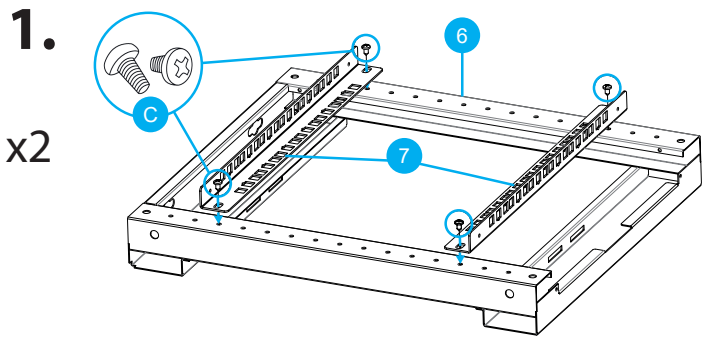
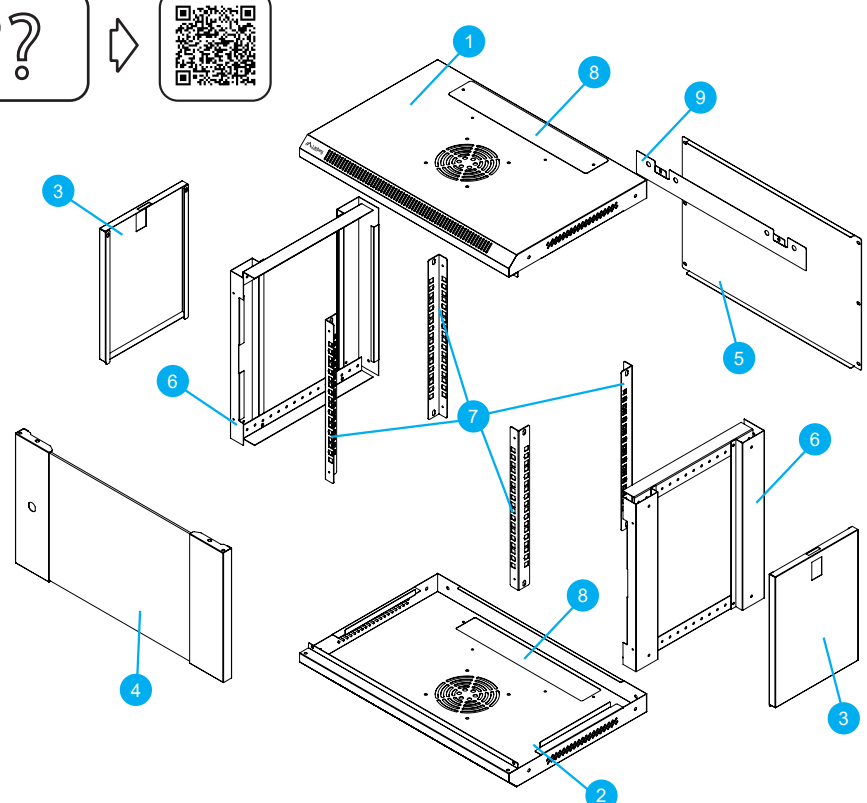
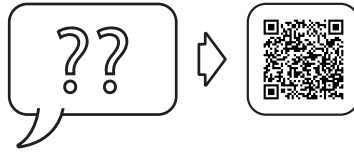


# 19" RACK CABINET

WF03-5304-10B, WF03-5304-10S, WF03-5306-10B, WF03-5306-10S, WF03-5309-10B, WF03-5309-10S



A		x8
B		x20
C		x8
D		x1
E		x1
F		x1
G		x12



# 19" RACK CABINET

WF03-5304-10B, WF03-5304-10S, WF03-5306-10B, WF03-5306-10S, WF03-5309-10B, WF03-5309-10S

